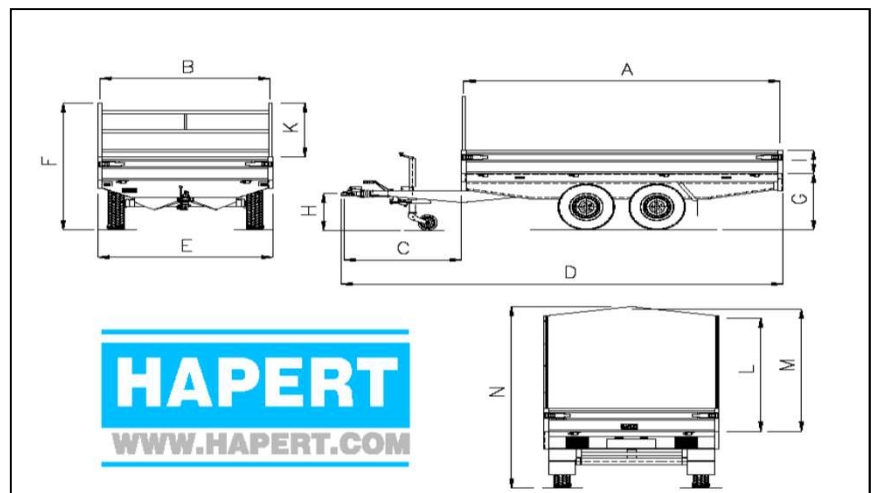


Technical data "HAPERT" model AL- 2 and 3 axles



	AL2700 405x200 2-axles	AL2700 505x200 2-axles	AL3000 505x220 2-axles	AL3500 505x240 2-axles	AL3500 605x240 2-axles	AL3000 405x200 3-axles	AL3500 505x200 3-axles	AL3500 605x220 3-axles
Dimensions / weights								
Maximum Gross Weight	2700	2700	3000	3500	3500	3000	3500	3500
Empty weight	605	690	775	795	900	775	870	990
Loading capacity	2095	2010	2225	2705	2600	2225	2630	2510
Interiour length [A]	405	505	505	505	605	405	505	605
Interiour width [B]	200	200	220	240	240	200	200	220
Length drawbar [C]	150	150	156	156	156	156	156	156
Total length [D]	560	660	666	666	766	566	666	766
Total width [E]	206	206	226	246	246	206	206	226
Height of the loading floor [F]	175	175	175	177	177	175	177	177
Height floor [G]	75	75	75	77	77	75	77	77
Height floor 195/50R13 [G]	65	65	65	67	67	65	67	67
Height of coupling [H]	45	45	47	47	47	47	47	47
Height of the walls [I]	30	30	30	30	30	30	30	30
Height ladder rack [K]	70	70	70	70	70	70	70	70
Tyre size	175R14C	175R14C	175R14C	185R14C	185R14C	175R14C	175R14C	175R14C

Accessories high covers	
High cover 150 cm. high	
Useful height sides [L]	150
Useful height in the middle [M]	162
Total height [N]	240
High cover 180 cm. high	
Useful height sides [L]	180
Useful height in the middle [M]	192
Total height [N]	270
High cover 210 cm. high	
Useful height sides [L]	210
Useful height in the middle [M]	222
Total height [N]	300



Dimensions in cm, weights in kg.

All specifications are subject to change

Edition: 11.09ALST