

# Technical data "HAPERT" twin axle model AL-



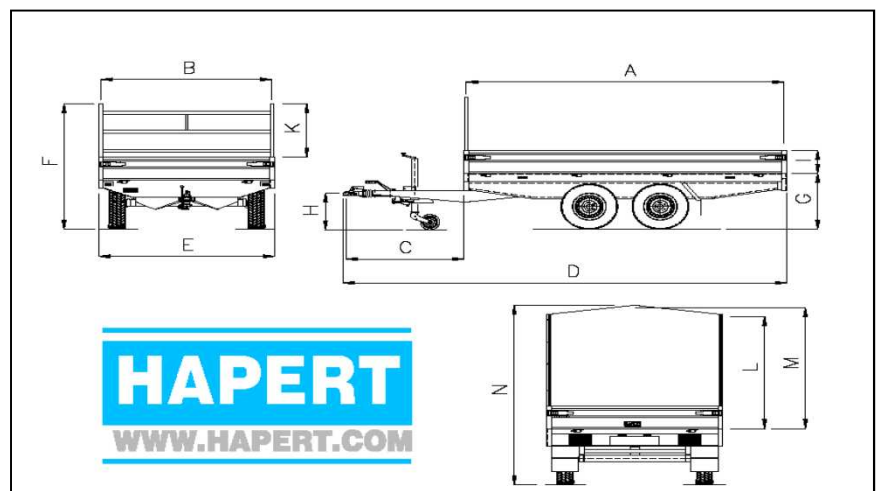
AL2000 280x160 flat-bed	AL2000 305x160 flat-bed	AL2000 335x180 flat-bed	AL2700 335x180 flat-bed	AL2700 405x180 flat-bed	AL3000 405x200 flat-bed	AL3000 455x180 flat-bed	AL3500 405x200 flat-bed
-------------------------------	-------------------------------	-------------------------------	-------------------------------	-------------------------------	-------------------------------	-------------------------------	-------------------------------

## Dimensions / weights

Maximum Gross Weight	2000	2000	2000	2700	2700	3000	3000	3500
Empty weight	435	445	485	525	570	650	690	670
Loading capacity	1565	1555	1515	2175	2130	2350	2310	2830
Interior length [A]	280	305	335	335	405	405	455	405
Interior width [B]	160	160	180	180	180	200	180	200
Length drawbar [C]	126	126	126	126	126	132	132	132
Total length [D]	412	437	467	467	537	543	593	543
Total width [E]	166	166	186	186	186	206	186	206
Total height [F]	153	153	173	175	175	175	175	177
Height of the loading floor [G]	73	73	73	75	75	75	75	77
Height floor 195/50R13 [G]	65	65	65	65	65	65	65	67
Height floor 195/50B10 [G]	57	57	57	57	57	57	57	--
Height of coupling [H]	45	45	45	47	47	47	47	47
Height of the walls [I]	30	30	30	30	30	30	30	30
Height ladder rack [K]	50	50	70	70	70	70	70	70
Tyre size	185/70R13	185/70R13	185/70R13	175R14C	175R14C	175R14C	175R14C	185R14C

## Accessories high covers

<b>High cover 150 cm. high</b>	
Useful height sides [L]	150
Useful height in the middle [M]	162
Total height [N]	240
<b>High cover 180 cm. high</b>	
Useful height sides [L]	180
Useful height in the middle [M]	192
Total height [N]	270
<b>High cover 210 cm. high</b>	
Useful height sides [L]	210
Useful height in the middle [M]	222
Total height [N]	300



**HAPERT**  
WWW.HAPERT.COM

Dimensions in cm, weights in kg.

All specifications are subject to change

Edition: 11.09ALB