

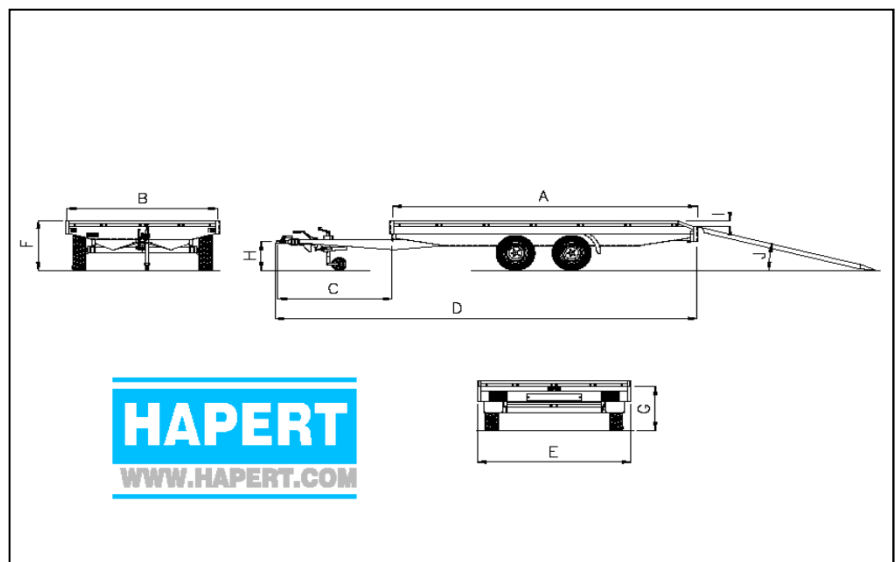
# Technical data "HAPERT" model AL- Transporter



	AL2000 405x201	AL2000 455x201	AL2700 405x201	AL2700 455x201
--	-------------------	-------------------	-------------------	-------------------

## Dimensions / weights

Maximum Gross Weight	2000	2000	2700	2700
Empty weight	665	710	670	715
Loading capacity	1335	1290	2030	1985
Interior length [A]	405	455	405	455
Interior width [B]	201	201	201	201
Length drawbar [C]	150	150	150	150
Total length [D]	560	610	560	610
Total width [E]	206	206	206	206
Total height [F]	72	72	72	72
Height of the loading floor [G]	63	63	63	63
Height of coupling [H]	45	45	45	45
Height of binding rail [I]	8,5	8,5	8,5	8,5
Drive-angle [J]	15°	15°	15°	15°
Tyre size	195/50R13	195/50R13	195/50R13	195/50R13



Dimensions in cm, weights in kg.

All specifications are subject to change

Edition: 11.09ALT