

Technical data "HAPERT" single axle model AT-

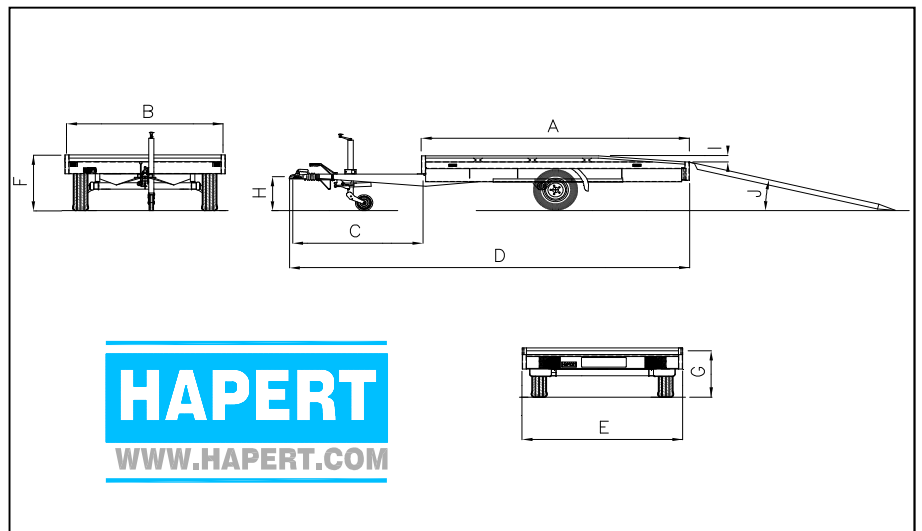


AT1350
305x180

AT1500
305x180

Dimensions/Weights

	AT1350 305x180	AT1500 305x180
Maximum Gross Weight	1350	1500
Empty weight	435	445
Loading capacity	915	1055
Interior length	[A] 305	305
Interior width	[B] 180	180
Length drawbar	[C] 150	150
Total length	[D] 460	460
Total width	[E] 186	186
Total height	[F] 71	71
Height of the loading floor	[G] 58	58
Height of coupling	[H] 41	41
Height of binding rail	[I] 7,5	7,5
Drive-angle	[J] 14°	14°
Tyre size	195/55R10	195/55R10



Dimensions in cm, weights in kg.

All specifications are subject to change

Edition: 11,09AT-1