

Technical data "HAPERT" twin axle model AT-

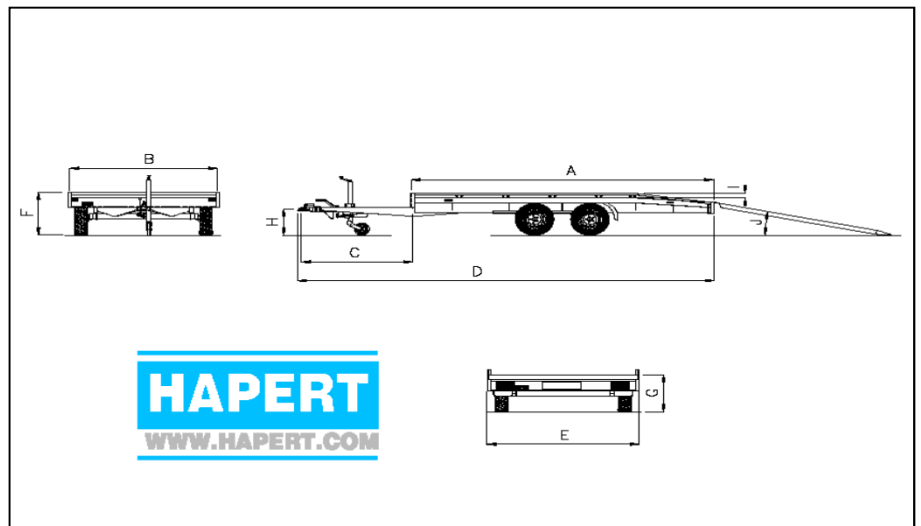


AT2000
405x200

AT2700
405x200

Dimensions / weights

		AT2000 405x200	AT2700 405x200
Maximum Gross Weight		2000	2700
Empty weight		605	610
Loading capacity		1395	2090
Interiour length	[A]	405	405
Interiour width	[B]	200	200
Length drawbar	[C]	150	150
Total length	[D]	558	558
Total width	[E]	206	206
Total height	[F]	73	73
Loading height	[G]	62	62
Height of coupling	[H]	43	43
Height of binding rail	[I]	7,5	7,5
Drive-angle	[J]	12,5°	12,5°
Tyre size		195/50R13	195/50R13



Dimensions in cm, weights in kg.

All specifications are subject to change

Edition: 11.09AT