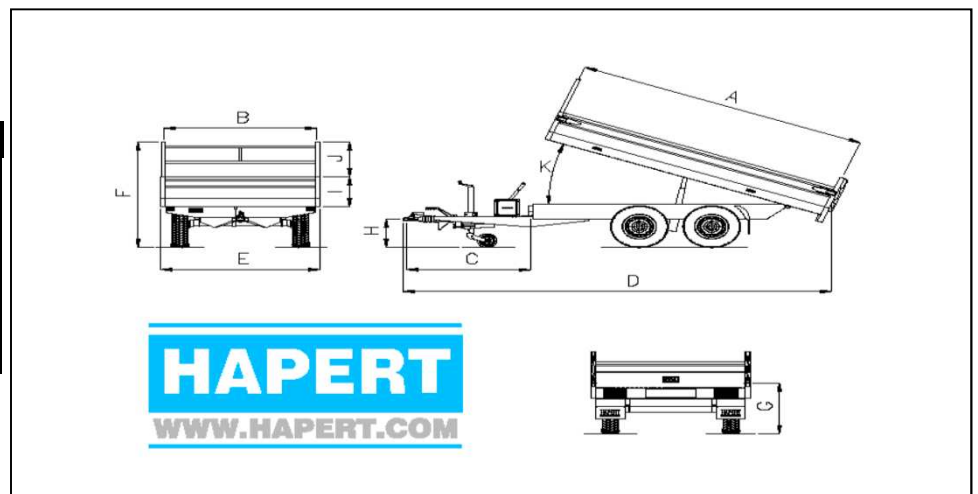


Technical data "HAPERT" twin axle model D-



	D2000 280x160	D2000 305x160	D2700 280x160	D2700 305x180	D3500 305x180	D2700 305x160 MULTI	D2700 335x180 MULTI	D3500 335x180 MULTI
Dimensions / weights								
Maximum Gross Weight	2000	2000	2700	2700	3500	2700	2700	3500
Empty weight	615	625	635	680	745	765	835	895
Loading capacity	1385	1375	2065	2020	2755	1935	1865	2605
Interior length [A]	280	305	280	305	305	305	335	335
Interior width [B]	160	160	160	180	180	160	180	180
Length drawbar [C]	126	126	126	126	133	126	126	133
Total length [D]	415	440	415	440	448	440	470	478
Total width [E]	166	166	166	186	186	166	186	186
Total height incl. ladder-rack [F]	153	153	155	175	177	145	165	167
Height of the loading floor [G]	73	73	74	74	77	66	66	68
Height floor 195/50R13 [G]	65	65	65	65	67	65	65	67
Height of coupling [H]	43	43	45	45	48	45	45	48
Height of the walls [I]	30	30	30	30	30	30	30	30
Height ladder-rack [J]	50	50	50	70	70	50	70	70
Tip-angle [K]	45°	45°	45°	45°	45°	45°	45°	45°
Tyre size	185/70R13	185/70R13	175R14C	175R14C	185R14C	195/50R13	195/50R13	195/50R13

Options / weights	
Electrical control	45 kg
Ramps under the trailer (steel)	110 kg
Ramps under the trailer (alu)	90 kg
Weldmesh extension 70 cm high:	
Dimension size 280x160:	95 kg
Dimension size 305x160:	105 kg
Dimension size 335x180:	115 kg



Dimensions in cm, weights in kg.
All specifications are subject to change