

Technical data "HAPERT" twin axle model E-Multi and Multi Ferro



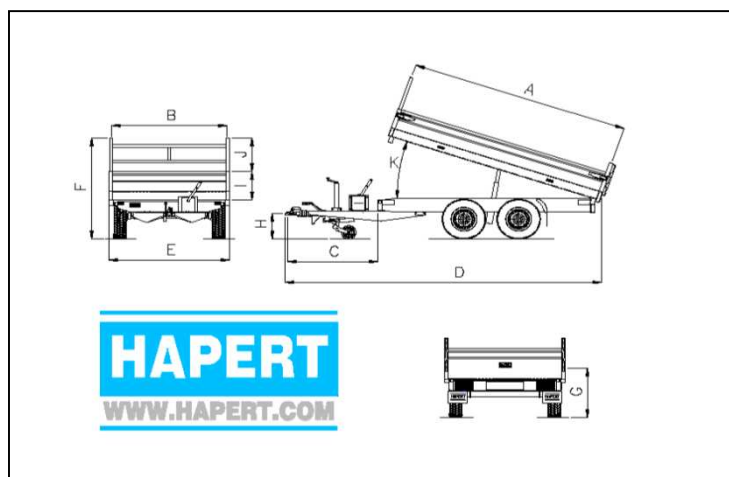
	E2700 305x180 MULTI	E2700 335x180 MULTI	E2700 375x180 MULTI Ferro	E3000 335x180 MULTI	E3500 335x180 MULTI Ferro	E3500 375x180 MULTI Ferro	E3500 405x180 MULTI	E3500 405x200 MULTI 3 axles
--	----------------------------------	----------------------------------	--	----------------------------------	--	--	----------------------------------	--

Dimensions / weights

Maximum Gross Weight	2700	2700	2700	3000	3500	3500	3500	3500
Empty weight	850	890	1000	920	990	1040	1125	1290
Loading capacity	1850	1810	1700	2080	2510	2460	2375	2210
Interiour length [A]	305	335	375	335	335	375	405	405
Interiour width [B]	180	180	180	180	180	180	180	200
Length drawbar [C]	126	126	126	133	133	133	133	133
Total length [D]	440	470	510	478	478	518	548	548
Total width [E]	186	186	186	186	186	186	186	206
Total height incl. ladder-rack [F]	167	167	168	167	169	169	169	169
Height of the loading floor [G]	67	67	68	67	69	69	69	69
Height of coupling [H]	45	45	45	45	47	47	46	46
Height of the walls [I]	30	30	30	30	30	30	30	30
Height ladder-rack [J]	70	70	70	70	70	70	70	70
Tip-angle [K]	45°	45°	48°	45°	45°	48°	42°	42°
Tip-angle sideways [K]	45°	45°	45°	45°	45°	45°	45°	45°
Tyre size	195/50R13	195/50R13	195/50R13	195/50R13	195/50R13	195/50R13	195/50R13	195/50R13

Options / weights

Weldmesh extension 70 cm high:	
Dimension 305x160:	105 kg
Dimension 335x180:	115 kg
Dimension 405x200:	135 kg



Dimensions in cm, weights in kg.

All specifications are subject to change

Edition: 11.09EMF