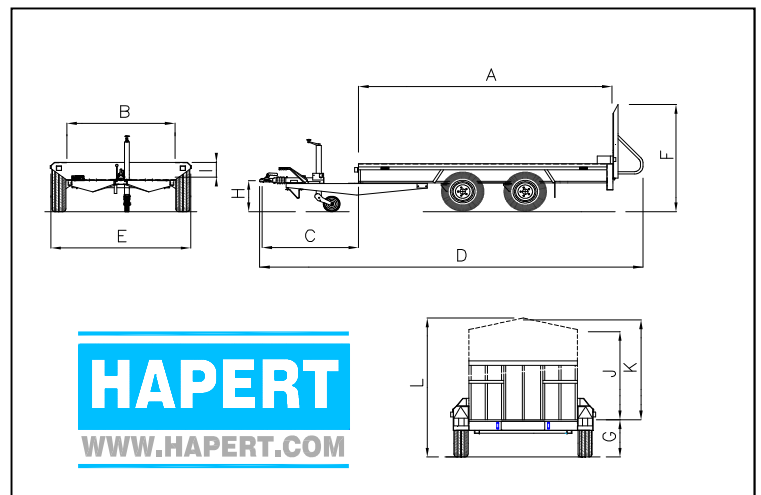


Technical data "HAPERT" twin axle model HV



	HV2000 255x130	HV2700 305x150	HV3000 305x150	HV3500 385x190	HV3500 425x190	HV3500 500x190	HV3500 425x190 3 AXLE	HV3500 500x205 3 AXLE
Dimensions / weights								
Maximum Gross Weight	2000	2700	3000	3500	3500	3500	3500	3500
Empty weight	515	595	625	785	825	885	930	1020
Loading capacity	1485	2105	2375	2715	2675	2615	2570	2480
Interior length [A]	253	303	303	383	423	498	423	498
Interior width [B]	130	150	150	190	190	190	190	205
Length drawbar [C]	125	125	132	132	132	132	132	132
Total length [D]	419	469	476	556	596	671	596	671
Total width [E]	174	194	194	234	234	234	234	249
Total height [F]	188	188	188	188	188	190	190	190
Height of the loading floor [G]	44	44	44	46	46	46	46	46
Height of coupling [H]	43	43	43	45	45	45	45	45
Height of the sides [I]	16	16	16	16	16	16	16	16
Drive-angle	17°	17°	17°	18°	18°	18°	18°	18°
Tyre size	155/70R12	155/70R12	155/70R12	155/70R12	155/70R12	155/70R12	155/70R12	155/70R12

Accessories high covers	
High cover 180 cm. high	
Useful height sides [J]	180
Useful height in the middle [K]	192
Total height [L]	240
High cover 210 cm. high	
Useful height sides [J]	210
Useful height in the middle [K]	222
Total height [L]	270



Dimensions in cm, weights in kg.

All specifications are subject to change

Uitgave: 02.09HV