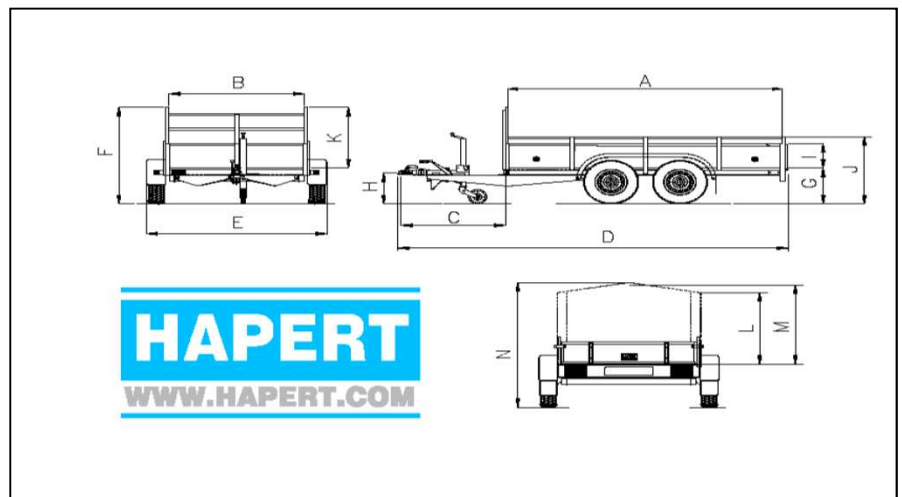


Technical data "HAPERT" twin axle model K-



	K2000 255x134	K2000 305x134	K2000 305x154	K2700 305x134	K2700 305x154	K3000 305x134	K3000 305x154	K3500 305x154
Dimensions / weights								
Maximum Gross Weight	2000	2000	2000	2700	2700	3000	3000	3500
Empty weight	390	415	425	430	450	495	515	560
Loading capacity	1610	1585	1575	2270	2250	2505	2485	2940
Interior length [A]	250	300	300	300	300	300	300	300
Interior width [B]	130	130	150	130	150	130	150	150
Length drawbar [C]	125	125	125	125	125	132	132	132
Total length [D]	384	434	434	434	434	440	440	440
Total width [E]	175	175	195	176	196	176	196	196
Total height [F]	137	137	137	138	138	140	140	141
Height of the loading floor [G]	52	52	52	53	53	56	56	57
Height of coupling [H]	46	46	46	47	47	49	49	50
Height of the sides [I]	35	35	35	35	35	35	35	35
Height sides incl. bindrail [J]	45	45	45	45	45	45	45	45
Height ladder rack [K]	85	85	85	85	85	85	85	85
Tyre size	185/70R13	185/70R13	185/70R13	175R14C	175R14C	175R14C	175R14C	185R14C

Accessories high covers		
High cover 150 cm. high		
Useful height sides [L]		150
Useful height in the middle [M]		156
Total height [N]		215
High cover 180 cm. high		
Useful height sides [L]		180
Useful height in the middle [M]		186
Total height [N]		245
High cover 210cm. high		
Useful height sides [L]		210
Useful height in the middle [M]		216
Total height [N]		275



Dimensions in cm, weights in kg.

All specifications are subject to change

Edition: 11.09KO