

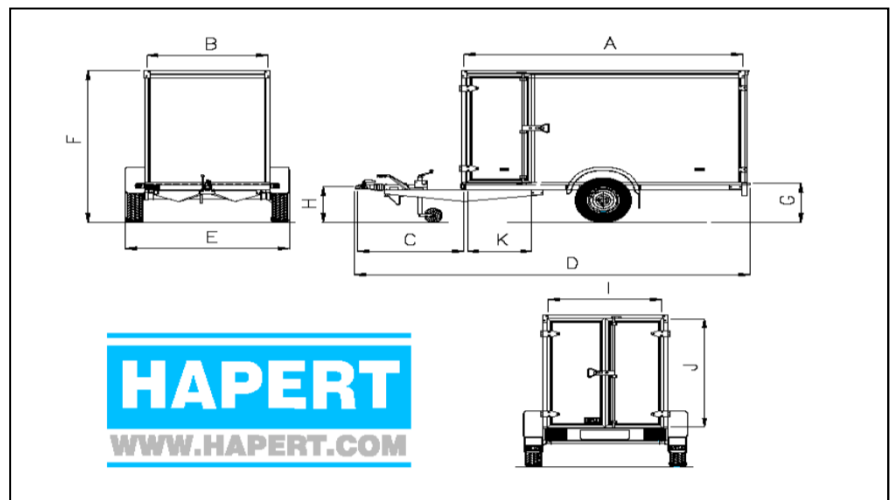
Technical data "HAPERT" single axle model R box van



R10	R10	R13	R13	R13	R13	R15	R15
205x114	255x134	205x114	255x134	305x134	305x154	255x134	305x134
120 high	150 high	150 high	150 high	150 high	180 high	150 high	180 high

Dimensions / weights

Maximum Gross Weight	1000	1000	1350	1350	1350	1350	1500	1500
Empty weight	325	445	350	425	460	510	440	520
Loading capacity	675	555	1000	925	890	840	1060	980
Interior length [A]	200	250	200	250	300	300	250	300
Interior width [B]	110	130	110	130	130	150	130	130
Length drawbar [C]	125	125	125	125	125	125	125	125
Total length [D]	335	385	335	385	435	435	385	435
Total width [E]	155	175	156	176	176	196	176	176
Total height [F]	176	206	208	208	208	238	208	238
Height of the loading floor [G]	52	52	53	53	53	53	55	55
Height of coupling [H]	46	46	47	47	47	47	49	49
Useful width rear door [I]	102	122	102	122	122	142	122	122
Useful height rear door [J]	118	148	148	148	148	178	148	178
Useful width pedestrian door [K]	58	68	58	68	68	68	68	68
Tyre size	185/70R13	185/70R13	175R14C	175R14C	175R14C	175R14C	175R14C	175R14C



Dimensions in cm, weights in kg.

All specifications are subject to change

Edition: 11.09RG