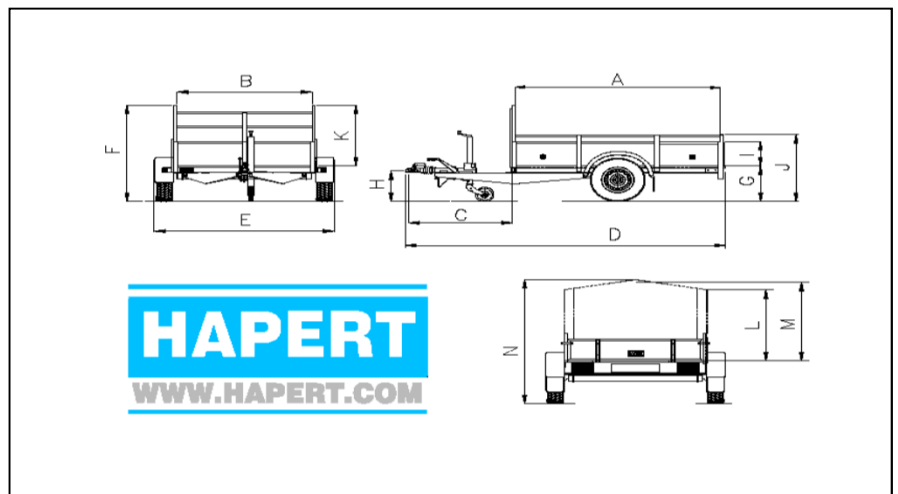


Technical data "HAPERT" single axle model R-



	R10 205x114	R10 255x134	R13 255x134	R13 305x134	R13 305x154	R15 255x134	R15 305x134	R15 305x154
Dimensions / weights								
Maximum Gross Weight	1000	1000	1350	1350	1350	1500	1500	1500
Empty weight	260	290	295	330	355	315	350	375
Loading capacity	740	710	1055	1020	995	1185	1150	1125
Interior length [A]	200	250	250	300	300	255	300	300
Interior width [B]	110	130	130	130	150	130	130	150
Length drawbar [C]	125	125	125	125	125	125	125	125
Total length [D]	334	384	384	434	434	384	434	434
Total width [E]	155	175	176	176	196	176	176	196
Total height [F]	137	137	138	138	138	140	140	140
Height of the loading floor [G]	52	52	53	53	53	55	55	55
Height of coupling [H]	46	46	47	47	47	49	49	49
Height of the sides [I]	35	35	35	35	35	35	35	35
Height sides incl. bindrail [J]	45	45	45	45	45	45	45	45
Height ladder rack [K]	85	85	85	85	85	85	85	85
Tyre size	185/70R13	185/70R13	175R14C	175R14C	175R14C	175R14C	175R14C	175R14C

Accessories high covers	
High cover 150 cm. high	
Useful height sides [L]	150
Useful height in the middle [M]	156
Total height [N]	215
High cover 180 cm. high	
Useful height sides [L]	180
Useful height in the middle [M]	186
Total height [N]	245
High cover 210cm. high	
Useful height sides [L]	210
Useful height in the middle [M]	216
Total height [N]	275



Dimensions in cm, weights in kg.

All specifications are subject to change

Edition: 11.09RO