

Amigo

AMIGO TARPAULIN HIGH COVER ASSEMBLY INSTRUCTIONS

The tarpaulin high cover set consists of:

- 2 packs of cover (roof) tubes and arches
- 1 tarpaulin high cover
- 18 cord holders - grey
- 18 hammer head nuts M4
- 18 Philips round head screws M4 x 12



Remove the black plastic caps from the front and rear corner posts.



Insert the 4 high cover posts (POS 2) in the corner posts.



Place the cover roof arch (POS 1) over the front and rear high cover posts.



Amigo

AMIGO TARPAULIN HIGH COVER ASSEMBLY INSTRUCTIONS

Fit* a straight lengthways cover roof tube (POS 4) between the front and rear cover roof arches.



Fit the bent lengthways cover roof tube (POS 3) to the corners of the cover roof arch (POS 1).



Fit* the other straight lengthways cover tube (POS 4) between the front and rear high cover posts. Fit this in the middle between the aluminium wall and the bent lengthways cover roof tube (POS 3).



Fit* the front crossways cover tube at the front of the trailer between the high cover posts at the front (POS 5). Space out this crossways cover tube between the aluminium wall and the top of the cover roof arch.

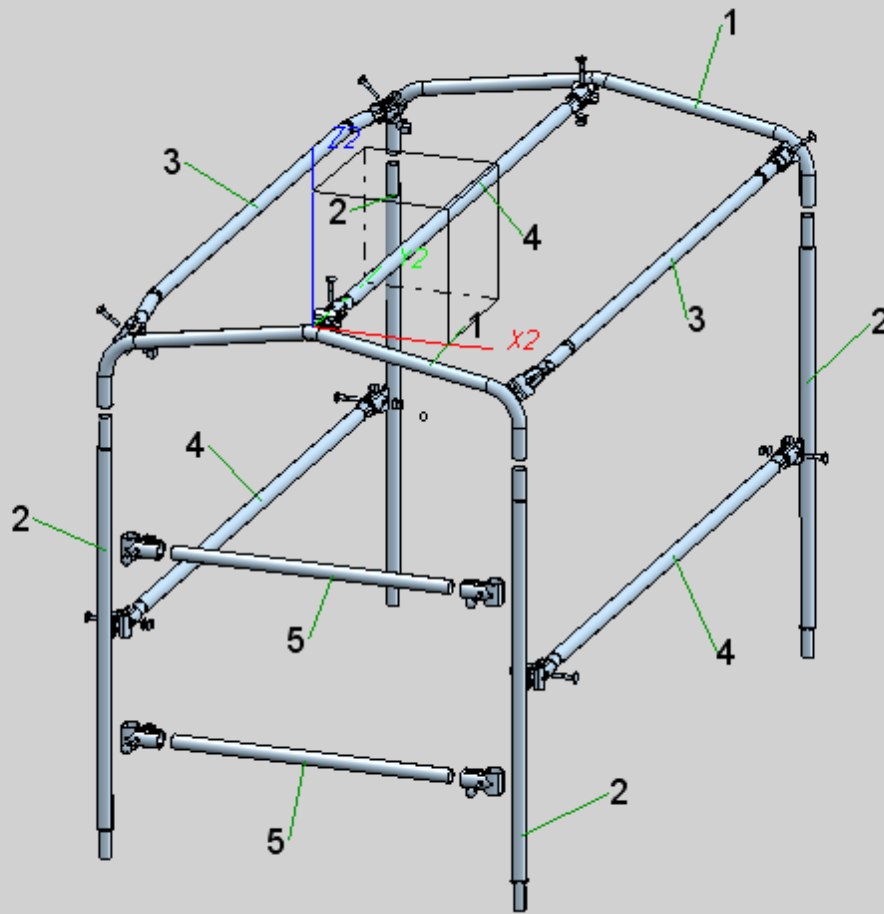


*NOTE! The head of the carriage bolt goes on the outside and the nut and the washer go on the inside (also see diagram 503563).

Amigo

AMIGO TARPAULIN HIGH COVER ASSEMBLY INSTRUCTIONS

9	14	SLUITRING M8				
8	14	BORGMOER M8 NYLON				
7	14	SLOTBOUW M8 X 45				
6	28	BEVESTIGINGS BEUGELS				
5	2	DWARS TOOG VOOR				
4	3	LENGTE TOOG RECHT				
3	2	LENGTE TOOG GEBOGEN				
2	4	TOOG STAANDERS				
1	2	TOOG GEBOGEN				
Pos.	Aant.	Omschrijving	Materiaal	TFT Code	Art. nr./tek. nr.	Opmerking



Hief aangegeven hoektoerental: 20,5°
 Hief zonder tarptentatie vlg. 004103-M

Hoof	0,6	0-30	30-120	120-600	600-1000	1000-2000
Toel	±0,1	±0,2	±0,3	±0,5	±0,8	±1,2



Voerbuur HAPERT B.V.
 Post bus 8 / Handelweg 13
 NL-5557 ZG HAPERT
 Tel. 0497-366668 Fax. 0497-399992



Maken in n.s.
 Berekening:

Titel project

Opp. behandeling

HUJFFRAME AMIGO

Schaal 1:10

Datum 25.01.2010

Maat B1H

Cont.

Tek. nr. 503563

Art. nr.

Revisie

A4

PL010410H

Amigo

AMIGO TARPAULIN HIGH COVER ASSEMBLY INSTRUCTIONS

Place the tarpaulin high cover over the frame.
The opening goes at the rear of the trailer.



Place the round head screw through the cord holder and screw the hammer head nut onto the round head screw.



Fit three cord holders in the T-groove on the front and rear walls. Place the cord holders on the rear wall between the lights. On the side wall, place two cord holders in the T-groove in front of the mudguard and two cord holders in the T-groove behind the mudguard between the eyelets in the tarpaulin high cover. Make sure the hammer head nut is rotated 90° in the T-groove.



Close the rear with the zig-zag fastener and secure it to the bottom of the lighting bar.



Amigo

AMIGO TARPAULIN HIGH COVER ASSEMBLY INSTRUCTIONS

Tighten the tarpaulin high cover's elastic cord around the cord holders.
Make sure the tarpaulin cover is pulled tightly over the frame.



The net weight of the tarpaulin high cover 100 set: 24 kg
The net weight of the tarpaulin high cover 130 set: 26 kg
The net weight of the tarpaulin high cover 160 set: 28 kg